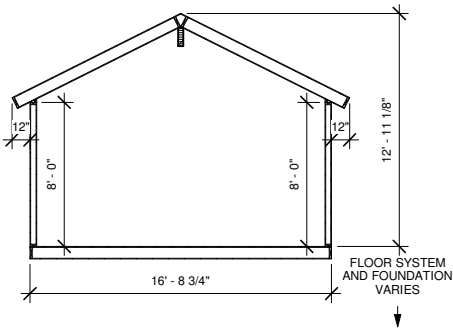
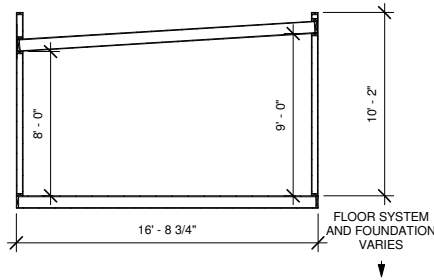


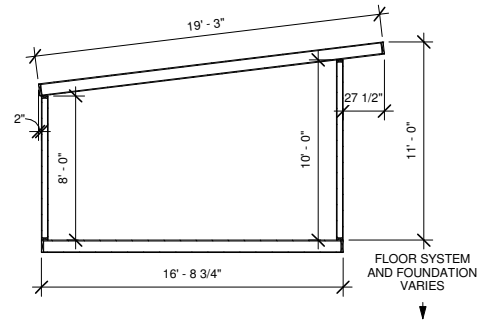
16x24 Unit Plan



16' Wide Gable Roof



16' Wide Parapet Roof



16' Wide Shed Roof

SELECT YOUR STYLE

Examples



16x24 Unit

- NOTES: 1. ALL OPENINGS BE 12" APART
- 2. OPENINGS MIN. 12" FROM CORNERS
- 3. UNITS SHOWN WITH OPTIONAL FLOOR PLAN
- 4. INDICATE ROUGH OPENING SIZES ON PLAN

LEGEND

■ = NO OPENING ALLOWED



Customer Name: _____

Address: _____

City, State, Zip: _____

Foundation/Floor Type (Circle): Slab-on-Grade SIP Floor over Concrete Stem Wall TJI Floor Joists over Concrete Stem Wall

Contractor or DIY (Circle): Contractor DIY

NOTES:

1. Indicate window and door locations on the plan.
2. Label each window & door on the plan to correspond with the schedule
3. Indicate the distance from the inside face of wall to edge of opening

Window Schedule							
Mark	Count	Operation	Description	Width	Rough Width	Height	Head Height

Door Schedule						
Mark	Count	Description	Width	Rough Width	Height	Rough Height

Comments _____

Customer Information

11/27/2009 9:39:10 PM

NOTES: 1. ALL OPENINGS BE 12" APART
 2. OPENINGS MIN. 12" FROM CORNERS
 3. UNITS SHOWN WITH OPTIONAL FLOOR
 4. INDICATE ROUGH OPENING SIZES ON PLAN

LEGEND

■ = NO OPENING ALLOWED



Copyright 2009 Curtier Building Systems, Inc.